

Large Screen Line-up from Mitsubishi

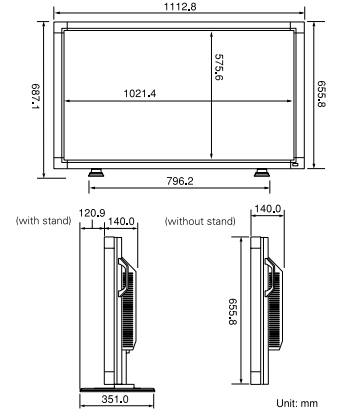


LCD Display
MDT46IS [46"screen]

Brightness	450cd/m ²
Contrast ratio	800 : 1
Viewing angle	170° horizontally / 170° vertically
Response time	16ms
Resolution	1366 dots x 768 lines W-XGA



Dimensions

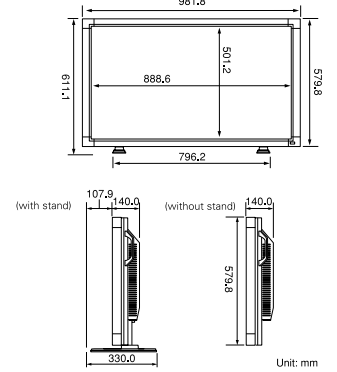


LCD Display
MDT402S [40"screen]

Brightness	450cd/m ²
Contrast ratio	1000 : 1
Viewing angle	170° horizontally / 170° vertically
Response time	16ms
Resolution	1366 dots x 768 lines W-XGA



Dimensions

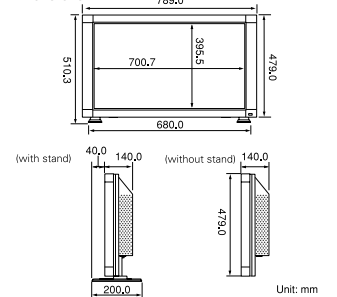


LCD Display
MDT32IS [32"screen]

Brightness	500cd/m ²
Contrast ratio	600 : 1
Viewing angle	176° horizontally / 176° vertically
Response time	20ms
Resolution	1366 dots x 768 lines W-XGA

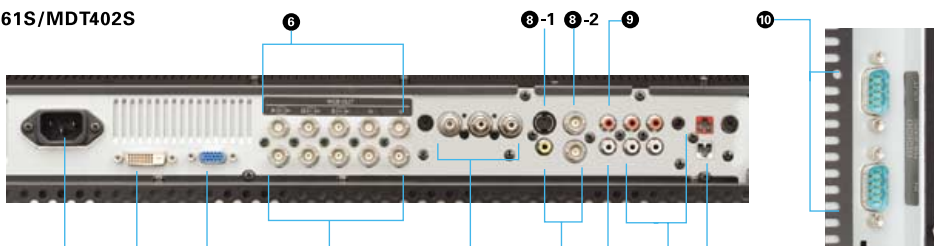


Dimensions

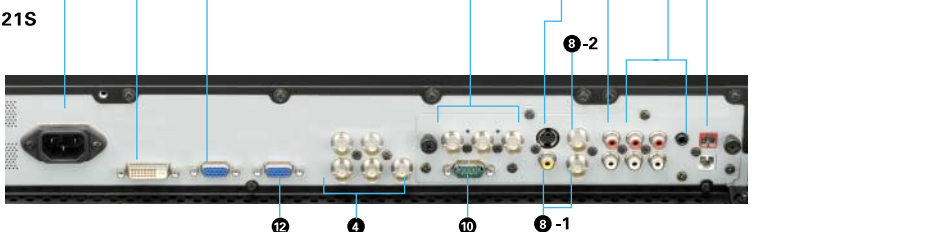


Variety of Connectivity

MDT461S/MDT402S



MDT321S



① AC IN Connector

Connects power source cord

② RGB1 IN (DVI-D)

Connects with digital RGB signals from PC or HDTV device having a digital RGB output.

③ RGB2 IN (Mini D-SUB 15pin)

Connects with analog RGB signals from PC or other RGB equipment.

④ RGB3 IN (R,G,B,H,V,I)(BNC)

Connects with analog RGB signal or signal from other RGB equipment.

⑤ DVD/HD Input Connector (BNC)

Connects DVD, Laser-Disk player, etc.

⑥ RGB3 Output Connector (BNC)

Output from RGB3 IN

⑦ AUDIO IN 1,2,3

Input for audio signal from external equipment such as PC,VCR,DVD player etc.

⑧-1 VIDEO INPUT

VIDEO IN (BNC, RCA)

S-VIDEO IN (DIN 4pin)

⑧-2 VIDEO Output (BNC)

Output of audio signal selected from AUDIO IN source.

⑩ AUDIO OUT

Output of audio signal selected from AUDIO IN source.

⑨ RS-232C Connector (D-SUB 9pin)

Input signal from control equipment such as PC or output from other MDT402S/MDT461S

OUT:connect to input of other MDT402S/MDT461S

⑪ External Speaker Terminal

Connect external speaker

⑫ RGB Output Connector

Outputs the signal entered from RGB2 (Mini D-SUB 15pin)

⑥ or RGB3 ④

Specifications

		MDT46IS(L461G7)	MDT402S(L404G6)	MDT32IS(L325RM)	
Display size		46" (1168mm diagonal)	40" (1016mm diagonal)	31.5" (800mm diagonal)	
Viewable size		1018.4x572.4mm	885.2x497.7mm	697.7x392.3mm	
Resolution		1366x768 dots (WXGA)			
Pixel pitch		0.746mm	0.648mm	0.511mm	
Color		16.7 Million			
Viewing angle		170°Hor. 170°Vert. (typ, Contrast Ratio>10)		176°Hor. 176°Vert (typ, Contrast Ratio>10)	
Brightness		450cd/m ²		500cd/m ²	
Contrast ratio		800:1 (typ)	1000:1 (typ)	600:1 (typ)	
Response time (typical)		16ms		20ms	
Input Connector	PC input	DVI-D(HDCP) x 1, Analog RGB x 1 <BNCx5>, Mini D-SUB 15pin x 1		DVI-D(no HDCP) x1, Analog RGB x1 <BNCx5>, Mini D-SUB 15pin x1	
	Video input	Video input x1<BNC, RCA terminal(S terminal priority/separate switchable)>, S terminal x 1, Component input x1<BNC>			
	Audio input	RCA pin jack, L/R x2, 3.5φ Stereo mini jack x1(PC Audio)			
	Control input	RS-232C input x1			
Output Connector	PC output	Analog RGB x1<BNCx5>		Analog RGB x1<Mini D-SUB 15pin>	
	Video output	Video output x1 <BNCx1>			
	Audio output	RCA pin jack L/Rx1			
	External speaker output	Speaker terminal L/Rx1			
PC input	Horizontal frequency	15.625/15.734/31.5~91.1kHz (Analog), 31.5~91.1kHz (Digital)			
	Vertical frequency	50/58~85Hz (Analog), 50/58~85Hz (Digital)			
	Video signal	Digital RGB, Analog RGB			
	Sync. signal	Separate: TTL level(Posi/Nega), Sync on green			
	Supported Resoluton	VGA60, SVGA60, XGA60, WXGA60, SXGA60, UXGA60, SXGA(Scaled), UXGA(Scaled)			
Video signal		NTSC/PAL/SECAM/4.43NTSC/PAL60, Composit, Separate(S terminal), Component (HDTV)			
Control input		Based on RS232C standard			
Control output		Based on RS232C standard		—	
Speaker / Audio output		External speaker terminal 8 ohm, External speaker jack 7W+7W, (Stereo), External speaker (option setting)			
Stand		Desktop stand (removable)			
Complied regulatory and guidelines	Power management	VESA, DPM			
	Safety	UL60950-1/CSA C22.2 No.60950-1/TUV-GS/EN60950-1			
	EMC	FCC-B/DOC-B/EN55022-A/EN55024/EN61000-3-2/EN61000-3-3/CE			
	Others	WEEE, DDC-CI			
Operational environment	Temperature	5~40°C			
	Humidity	20~80% (without condensation)			
Power supply	Input		100~240 VAC 50/60Hz		
	Power consumption	Max	260W	230W	120W
		At power saving	Less than 5W(Power button OFF/Main power switch ON) 0W(Main power switch OFF)		
Weight	Display unit	Net with stand	Approx. 32.8kg	Approx. 29.0kg	Approx. 16.4kg
		Net without stand	Approx. 31.0kg	Approx. 27.5kg	Approx. 15.2kg
Packing weight / Dimensions		Approx. 40.5kg / 1278(W) x 837(H) x 312(D)mm	Approx. 36.5kg / 1147(W) x 761(H) x 312(D)mm	Approx. 22.2kg / 944(W) x 652(H) x 312(D)mm	
Accessory		Wireless remote controller, AA battery x 2, Power cord (3.0m), Signal cable,(4.0m : Mini D-SUB 15 pin/Mini D-SUB 15pin), CD-ROM(Utility etc.), Instruction manual, Self-standing stand, Main power switch cover, Clamper, Speaker plug, Ferrite core, Band			

●Power cord for North America & for EU are included. Please use a power cord that matches the AC voltage of the power outlet and has been approved by and complies with the safety standard of your particular country.

●LCD panels are manufactured using high precision technology; nevertheless there may be some missing pixels and some pixels might be always lit on. Please understand and accept this fact when you make a purchase.●Displaying still pictures for a long time may cause permanent image sticking.●If you alter the original images either through compression or enlargement or something else, and show it on a display with some commercial purpose or with intention of showing to general public, you might infringe the copyright of the author which is protected by the copyright law.●As a conversion adapter may be required to connect to Macintosh, check the configuration of the connector of Macintosh beforehand. No conversion adapter is required to connect to the models with Mini D-SUB 15pin VGA connector.●Windows® is a registered trademark of Microsoft Corporation of US in the territory of US and others.●Macintosh is a registered mark of Apple Computer US in the territory of US and others. ●Other company and product names are a registered mark or trademark of the relative company.