



**MITSUBISHI
ELECTRIC**

MULTIMEDIA DATA/VIDEO PROJECTORS

Changes for the Better

The little giant, in projecting.

**Actual
size**



2000:1
Contrast

1500lm
Brightness

1.3kg
Weight

MITSUBISHI

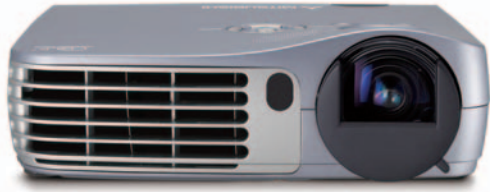


XD80U

NEW

ULTRA MOBILE XGA PROJECTOR

175 150 125 100 75 50 25 0 (mm)

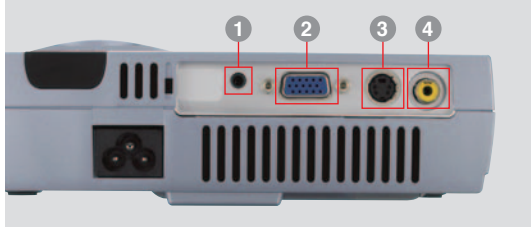


XD80U

ULTRA MOBILE XGA PROJECTOR



Input and Output Terminals



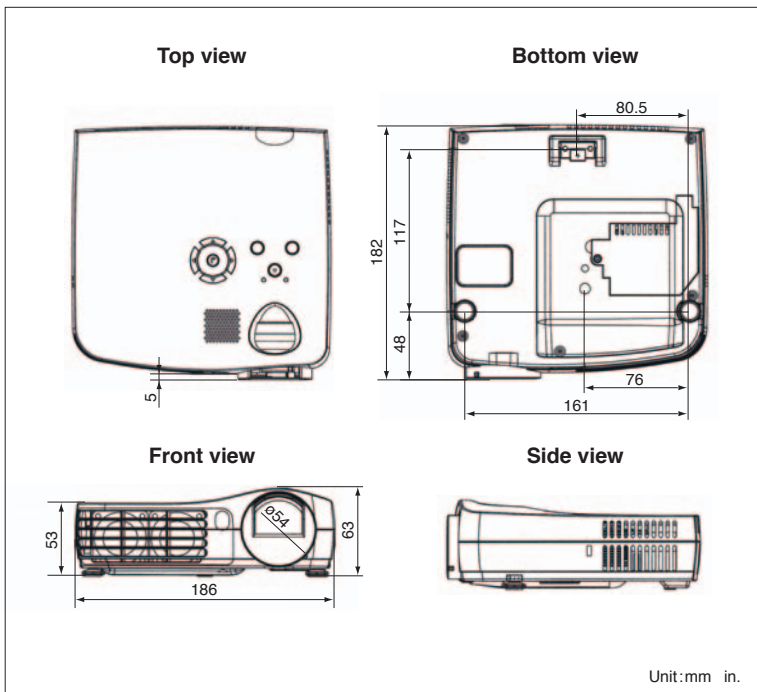
- 1 Audio Input (Stereo mini jack)
- 2 PC/Component Video Output (mini D-sub15pin)
- 3 S-video Input
- 4 Video Input

Specifications

Model	XD80U
Display technology	1-chip DMD
Resolution	1024 768 (total 786,432 pixels), 550 video lines
Brightness	1500lm
Contrast	2000 : 1
Picture Size	26" ~ 300" (100"=3.9m)
Source lamp	114W (Shut Off Time 2000Hrs) with Low Mode 130W (Shut Off Time 1500Hrs)
Computer compatibility	VGA® ~ SXGA® (640 480~1280 1024), True: 1024 768, Sync on green available
Video compatibility	NTSC3.58 / NTSC4.43 / PAL (including PAL-M, N) / SECAM / PAL-60, DVD(Component 480i/p, 576i/p), HDTV[1080i(50/60Hz), 720p(60Hz)]
PC input terminals	RGB: (Analog)mini D-sub15pin Audio: Stereo mini jack (ø3.5mm) 1
Video input terminals	Video: RCA 1 S-video 1
Audio speaker	0.5W mono
Fan noise	38dBA (Lamp Low Mode)
Dimension (W H D)	186 46 176mm (excluding height adjustment)
Weight	1.3kg / 2.9lbs
Power supply	AC90 - 264V, 50/60Hz

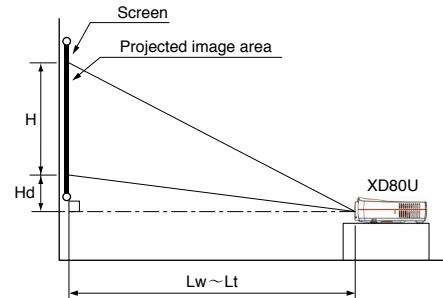
*All brand names and product names are trademarks, registered trademarks or trade names of their respective holders.
*DLP (Digital Light Processing) is a trademark of Texas Instruments.

Dimensions



Screen size and Projection distance

As seen from the side



Screen size chart (4:3 aspect ratio)

Diagonal size		Screen		Distance from screen (L)				High projected image (Hd)			
		Width	Height (H)	Maximum Zoom (Lw)		Minimum Zoom (Lt)					
inch	cm	inch	cm	inch	cm	inch	m	inch	m	inch	cm
26	67	21	53	16	40	-	-	47	1.2	2.7	7
40	102	32	81	24	61	61	1.5	73	1.9	4.1	10
60	152	48	122	36	91	92	2.3	110	2.8	6.1	16
80	203	64	163	48	122	123	3.1	148	3.7	8.2	21
100	254	80	203	60	152	154	3.9	185	4.7	10.2	26
120	305	96	244	72	183	185	4.7	222	5.6	12.2	31
150	381	120	305	90	229	232	5.9	278	7.1	15.3	39
180	457	144	366	108	274	278	7.1	334	8.5	18.4	47
200	508	160	406	120	305	310	7.9	371	9.4	20.4	52
250	635	200	508	150	381	387	9.8	465	11.8	25.5	65
300	762	240	610	180	457	465	11.8	558	14.2	30.6	78

The above numbers are approximate, and may be slightly different from the actual measurements.

MITSUBISHI ELECTRIC CORPORATION
HEAD OFFICE : TOKYO BLDG., 2-7-3, MARUNOUCHI, CHIYODA-KU, TOKYO 100-8310, JAPAN

To find out more about XD80U and our projectors, visit us at
Global.MitsubishiElectric.com/projectors/